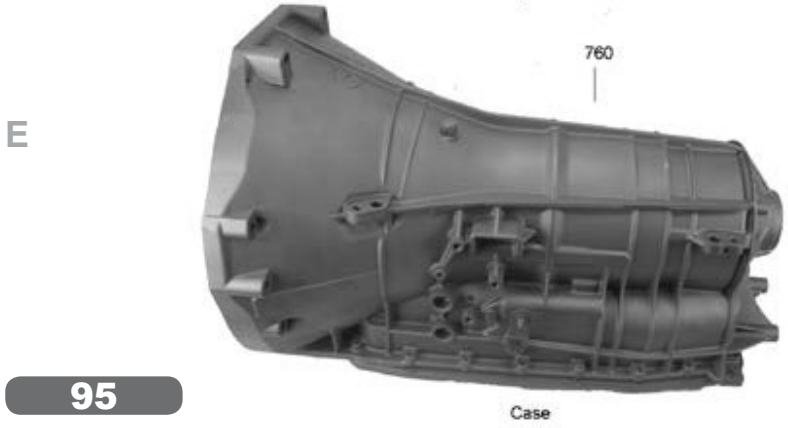
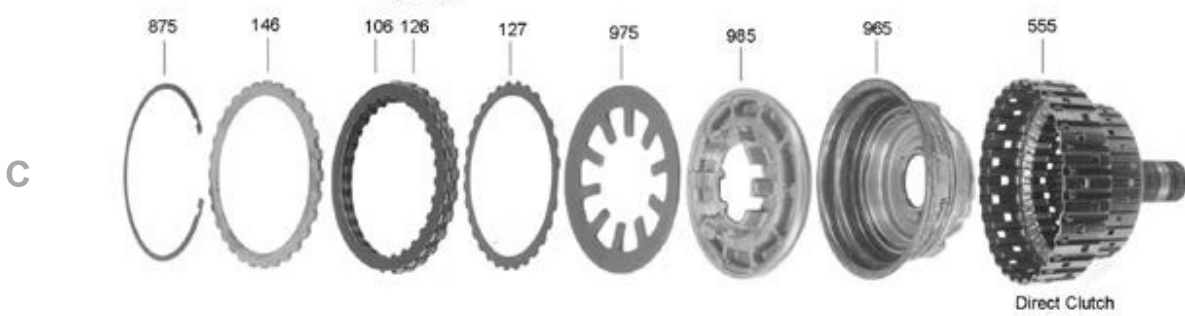
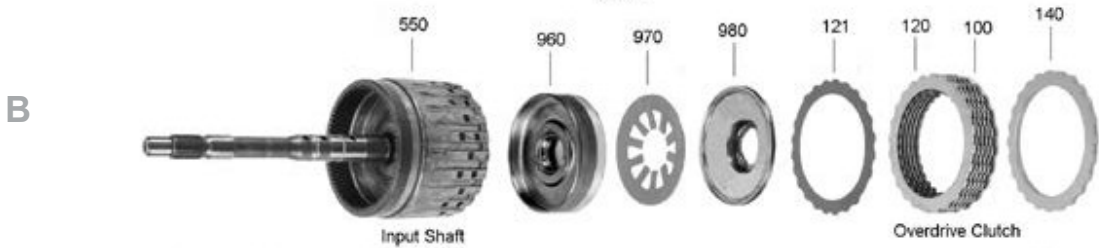
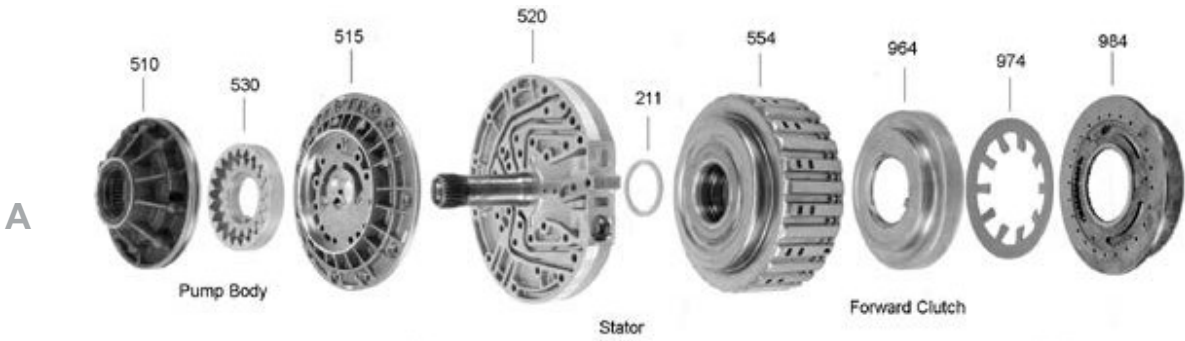
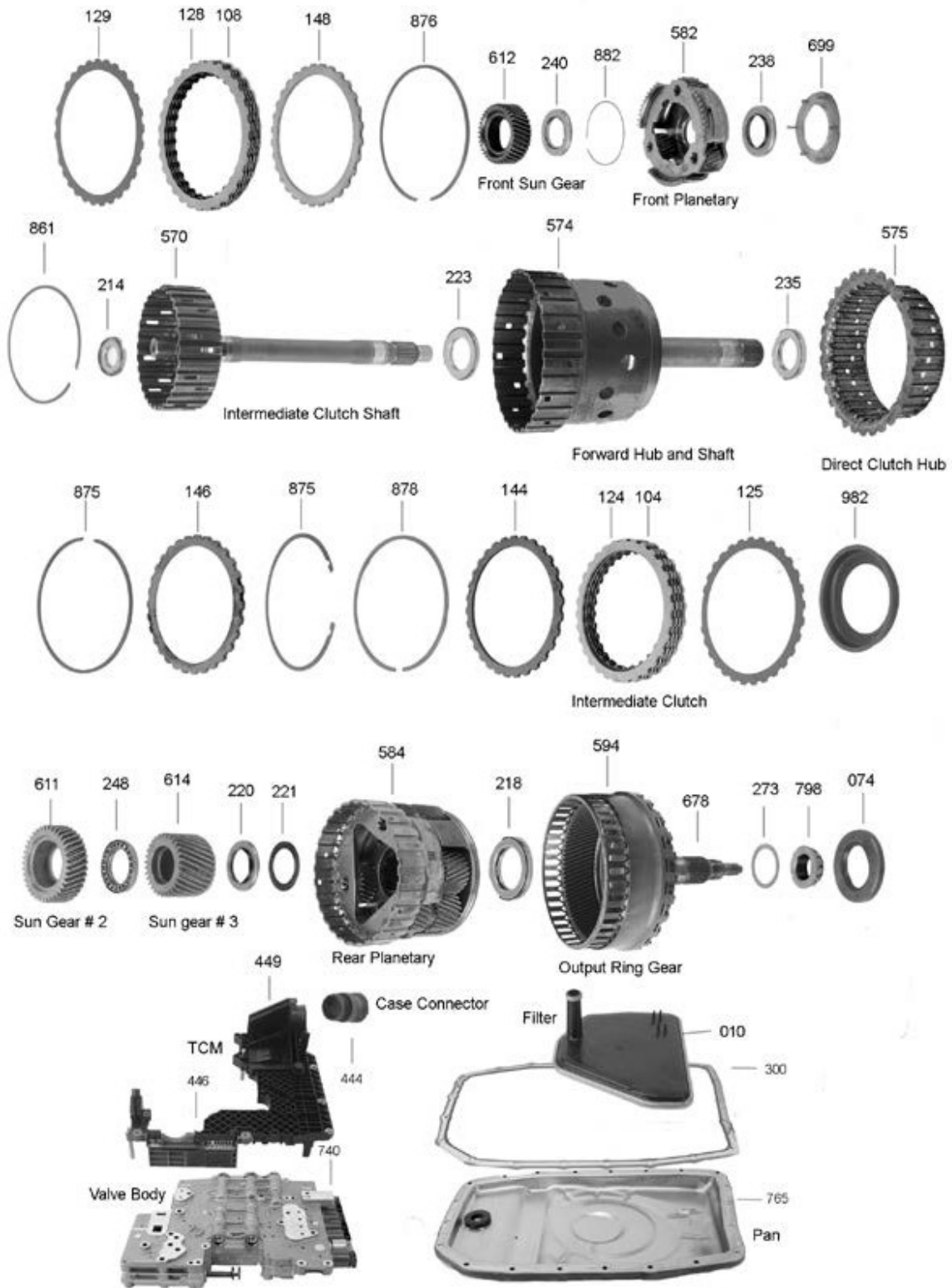


6R60, 6R75, 6R80, ZF6HP26



6R60, 6R75, 6R80, ZF6HP26



F

G

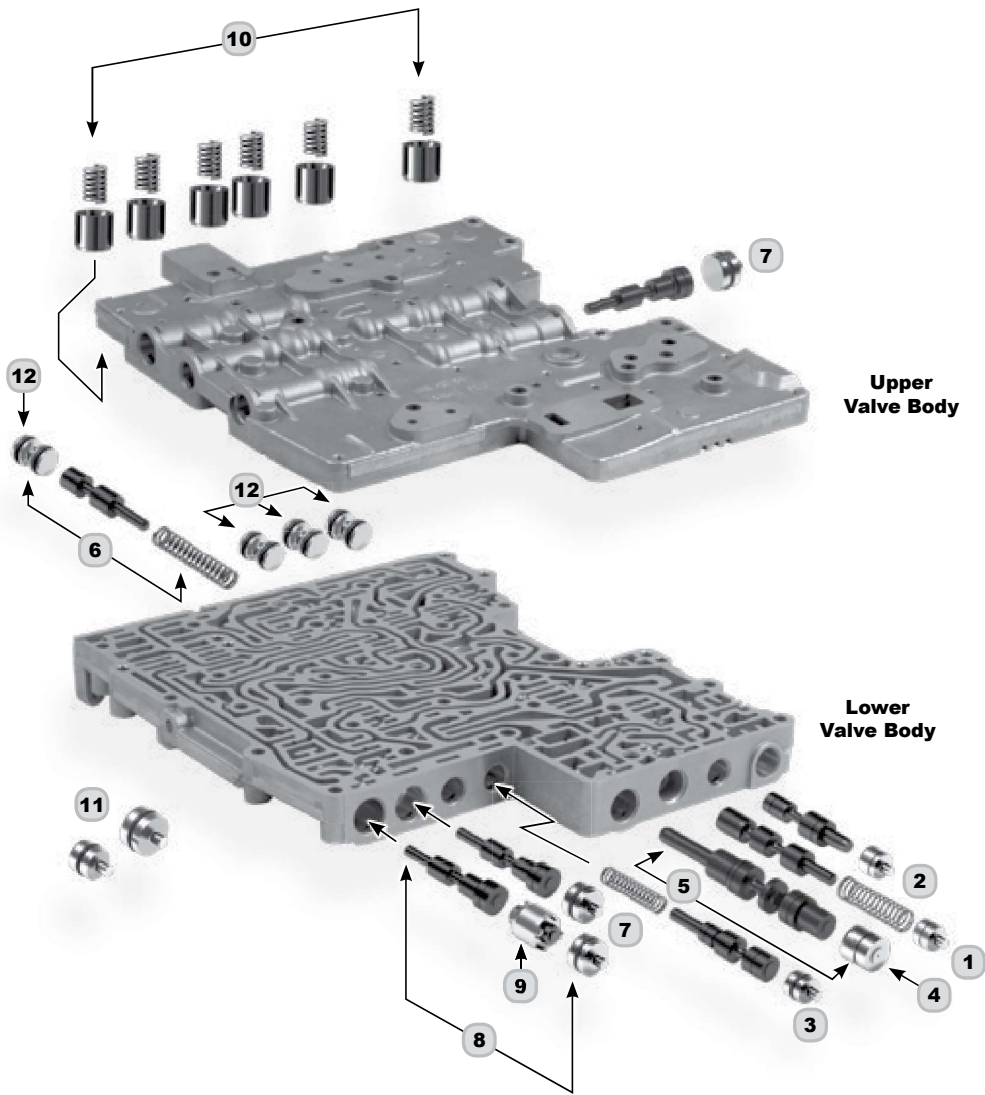
H

I

J

VALVE BODY GUIDE

NOTE:
Install Spring
Inboard



6R60, 6R75, 6R80, ZF6HP26



95300D



95010



95010D

ILL.		QTY.	YEAR	PART No.	REF. No.
MASTER OVERHAUL KITS (WITH STEELS)					
006	ZF6HP26 (BMW, Jaguar, Land Rover, Lincoln).....	1	02-Up	95006	N.L.
006	6R60 (Ford).....	1	06-Up	95006D	N.L.
006	6R75 (Ford).....	1	07-08	95006DA	N.L.
006	6R80 (Ford).....	1	09-Up	95006E	N.L.
LESS STEEL KITS					
004	ZF6HP26 (BMW, Jaguar, Land Rover, Lincoln).....	1	02-Up	95004	N.L.
004	6R60 (Ford).....	1	06-Up	95004D	N.L.
004	6R75 (Ford).....	1	07-08	95004DA	N.L.
004	6R80 (Ford).....	1	09-Up	95004E	N.L.
OVERHAUL KITS (W/ RINGS & SEALS)					
002	ZF6HP26.....	1	02-Up	95002	N.L.
002	6R60 (Ford).....	1	06-Up	95002D	N.L.
002	6R75 (Ford).....	1	07-08	95002D	N.L.
002	6R80 (Ford).....	1	09-Up	95002E	N.L.
FILTERS					
010J	ZF6HP26 (Integral w/ Plastic Pan).....	1	02-Up	95010	0501216243
010J	ZF6HP26X (w/ Metal Pan).....	1	04-Up	95010D	6L2Z-7A098AA
010J	6R60, 6R75 (Flat Bottom) (to 12/4/06).....	1	02-E06	95010D	6L2Z-7A098AA
010J	6R60, 6R75 (.875" Pick Up) (12/4/06-Up).....	1	L06-Up	95010E	7L1Z-7A098A
010J	6R80 (.875" Pick Up, 1.6" Overall).....	1	09-Up	95010E	7L1Z-7A098A
010J	6R80 (.275" Pick Up, 1.0" Overall).....	1	11-Up	95010G	BL3Z-7A098-A
BUSHINGS					
030	Bushing Kit, ZF6HP26 (Solid Bronze).....	1	02-Up	95030	N.L.
030	Bushing Kit, 6R60, 6R75, 6R80.....	1	06-Up	95030D	N.L.
030	Bushing Kit, 6R80 (Solid Bronze).....	1	06-Up	95030E	N.L.
037	Stator (Rear) (Sonnax).....	1	06-Up	S95037	95030-02T
METAL CLAD SEALS					
070	Front Pump.....	1	02-Up	95070	N.L.
072	Linkage.....	1	02-Up	95072	N.L.
074	Rear (2wd) (Except 6R80).....	1	02-Up	95074	N.L.
074	Rear (4wd) (6R70, 6R75, ZF6HP26).....	1	02-Up	95074D	6L2Z-7052BA
FRICITION PLATES					
100B	Overdrive (E Clutch) (.063") (Exc 6R80).....	6-7	02-Up	95100	N.L.
100B	Overdrive (E Clutch) (.079") (6R80).....	6	09-Up	95100A	N.L.
104H	Intermediate (C Clutch) (.083").....	4-5	02-Up	95106	N.L.
106C	Direct (B Clutch) (.083").....	4-5	02-Up	95106	N.L.
108F	Forward (A Clutch) (.063").....	4-5	02-Up	95108	N.L.
114D	Low/ Reverse (D Clutch) (.063").....	4-7	02-Up	95108	N.L.
STEEL PLATES					
120B	Overdrive (E Clutch) (.094").....	5-6	02-Up	95120A	N.L.
120B	Overdrive (E Clutch) (.118").....	5-6	02-Up	95120	N.L.
124H	Intermediate (C Clutch) (.118").....	4-5	02-Up	95128	N.L.
126C	Direct (B Clutch) (.083").....	4-5	02-Up	95126	N.L.
128F	Forward (A Clutch) (.118").....	4-5	02-Up	95128	N.L.
134D	Low/ Reverse (D Clutch) (.083").....	4-7	02-Up	95126	N.L.
135D	Low/ Reverse (D Clutch) (Waved).....	1	06-08	95135	6L2Z-7E085A

6R60, 6R75, 6R80, ZF6HP26

ILL.		QTY.	YEAR	PART No.	REF. No.
PRESSURE PLATES					
140B	Overdrive (E Clutch)	1	02-Up	95140	N.L.
140B	Overdrive (E Clutch) (6R80)	1	02-Up	95140	N.L.
140B	Overdrive (E Clutch) (6R80)	1	09-Up	95140E	6L2Z-7B066R
144H	Intermediate (C Clutch).....	1	02-Up	95144	N.L.
144H	Intermediate (C Clutch) (6R60, 6R75, 6R80).....	1	06-Up	95144E	6L2Z-7B066C
146C	Direct (B Clutch).....	1	02-Up	95146	N.L.
146C	Direct (B Clutch) (6R60, 6R75, 6R80)	1	06-Up	95146E	6L2Z-7B066BA
154D	Low/ Reverse (D Clutch).....	1	02-Up	95126	N.L.
154D	Low/ Reverse (D Clutch) (3.0mm) (6R60, 6R75, 6R80)	1	06-Up	95154EF	6L2Z-7B066LA
154D	Low/ Reverse (D Clutch) (5.1mm) (6R60, 6R75, 6R80)	1	06-Up	95154E	6L2Z-7B066HA
154D	Low/ Reverse (D Clutch) (5.3mm) (6R60, 6R75, 6R80)	1	06-Up	95154EA	6L2Z-7B066M
154D	Low/ Reverse (D Clutch) (5.4mm) (6R60, 6R75, 6R80)	1	06-Up	95154EB	6L2Z-7B066JA
154D	Low/ Reverse (D Clutch) (5.6mm) (6R60, 6R75, 6R80)	1	06-Up	95154EC	6L2Z-7B066N
154D	Low/ Reverse (D Clutch) (5.7mm) (6R60, 6R75, 6R80)	1	06-Up	95154ED	6L2Z-7B066KA
154D	Low/ Reverse (D Clutch) (5.9mm) (6R60, 6R75, 6R80)	1	06-Up	95154EE	6L2Z-7B066P
SEALING RINGS					
175E	Sealing Ring Kit (All).....	1	02-Up	95175	N.L.
BEARINGS & RACES					
201	Bearing Kit (ZF6HP26).....	1	02-Up	95201	N.L.
201	Bearing Kit (6R60)	1	06-08	95201D	N.L.
201	Bearing Kit (6R60, 6R75, 6R80)	1	08-Up	95201E	N.L.
GASKETS & O-RINGS					
300J	Pan Gasket, Molded Rubber (ZF6HP26) (For Plastic Pan).....	1	02-Up	95300	0501323155
300J	Pan Gasket, Fiber (ZF6HP26X) (For Metal Pan).....	1	04-Up	95300B	7L7Z-7A191A
300J	Pan Gasket, Bonded (6R60/75/80).....	1	06-Up	95300D	N.L.
305	Gasket, Case to Adapter Housing Awd.....	1	04-Up	95305	N.L.
320	Valve Body Plate, 6R60, 6R75, 6R80	1	06-Up	95320D	N.L.
320	Valve Body Plate, ZF6HP26 (ID # 1068-327-141 or A035 / B035)	1	02-Up	95320	1068-227-035
320	Valve Body Plate, ZF6HP26 (ID # 1068-327-163 or A047 / B047)	1	02-Up	95320A	1068-227-047
320	Valve Body Plate, ZF6HP26 (ID # 1068-327-179 or A051 / B051)	1	02-Up	95320B	1068-227-051
320	Valve Body Plate, ZF6HP26 (ID # 1068-327-180 or A052 / B052)	1	02-Up	95320C	1068-227-052
320	Valve Body Plate, ZF6HP26 (ID # 1068-327-189 or A053 / B053)	1	02-Up	95320E	1068-227-053
697	Bridge Seal, Oil Distributor Sleeve.....	1	02-Up	95697	AL3Z-7F401A
TECHNICAL MANUALS					
400E	Technical Manual (ZF6HP26)	1	02-Up	95400	N.L.
400E	Technical Manual (6R60)	1	06-Up	95400D	N.L.
400E	Diagnostic Guide (ZF6HP26) (Audi, Jaguar, BMW).....	1	02-Up	95400T	N.L.
ELECTRICAL COMPONENTS					
(6R60, 6R75, 6R80)					
N.I.	Solenoid, Black Connector (6L2P) (SSB, SSD, PCA)	3	06-10	95430	N.L.
N.I.	Solenoid, Yellow Connector (AL3P) (SSB, SSD, PCA) (Black Barrel).....	3	10-Up	95430B	N.L.
N.I.	Solenoid, Brown Connector (6L2P) (SSA, SSC, TCC).....	3	06-10	95432	N.L.
N.I.	Solenoid, Yellow Connector (AL3P) (SSA, SSC, TCC) (Brown Barrel)	3	10-Up	95432B	N.L.
N.I.	Solenoid, Yellow Connector (6L2P) (SSE).....	1	06-Up	95435	N.L.
N.I.	Connector Plate w/ TCM (Bosch) (7L1P-14C247AD).....	1	06-10	95446	N.L.
N.I.	Connector Plate w/o TCM (Siemens) (A2C5-3215084).....	1	10-Up	95446B	N.L.
444J	Sleeve, Case Connector	1	06-Up	95444	6L2Z7G276AA
(ZF6HP26)					
N.I.	Solenoid Kit, 6HP19/26/32 (Match w/ Trans Code)	1	06-10	95420AK	1068 298 043
N.I.	Solenoid Kit, 6HP19/26/32 (Match w/ Trans Code)	1	06-10	95420BK	1069 298 044
N.I.	Solenoid Kit, 6HP19/26/32 (Match w/ Trans Code)	1	06-10	95420CK	1070 298 045
N.I.	Solenoid Kit, 6HP12/28 (Match w/ Trans Code)	1	06-10	95420DK	1071 298 046
N.I.	Solenoid Kit, 6HP12/28 (Match w/ Trans Code)	1	06-10	95420EK	1072 298 047
N.I.	Solenoid, Yellow Connector (EDS #1, #3, #6)	1	06-10	95430D	0501 213 960
N.I.	Solenoid, Blue Connector (EDS #2, #4, #5)	1	06-10	95432D	0501 213 959
N.I.	Solenoid, Black Connector (MV1, MV2)	1	06-10	95435D	0501 319 037
N.I.	Connector Plate w/ TCM (0501-213-727)	1	02-Up	95446	N.L.
444J	Sleeve, Case Connector	1	02-Up	95444	6L2Z7G276AA

6R60, 6R75, 6R80, ZF6HP26

ILL.		QTY.	YEAR	PART No.	REF. No.
PUMPS					
500A	Pump (w/ Stator Bushing, .550" Pump Gears) (6R60, 6R75).....	1	06-Up	95500	N.L.
500A	Pump (No Stator Bushing, .590" Pump Gears) (6R80).....	1	09-Up	95500E	BL3Z-7A103A
500A	Pump, Bronze Bushing (BMW) (ZF6HP26).....	1	02-Up	95500Z	N.L.
500A	Pump, Silver Bushing (Jag, Land Rover) (ZF6HP26).....	1	02-Up	95500ZA	N.L.
510A	Pump Body w/ Gears (.550" Pump Gears) (6R60, 6R75).....	1	06-Up	95510	N.L.
510A	Pump Body w/ Gears (.590" Pump Gears) (6R80).....	1	09-Up	95510A	N.L.
515A	Pump Cover.....	1	06-Up	95515	N.L.
520A	Pump Stator (w/ Stator Bushing) (6R60, 6R75).....	1	06-Up	95520	N.L.
520A	Pump Stator (No Stator Bushing) (6R80).....	1	09-Up	95520A	N.L.
530A	Pump Gears (.550") (6R60, 6R75).....	1	06-Up	95530	N.L.
530A	Pump Gears (.590") (6R80).....	1	09-Up	95530A	N.L.
DRUMS & CLUTCH HUBS					
550B	Input (E Clutch) (2 Rings, Small Diameter Shaft) (6R60, 6R75).....	1	06-Up	95550	N.L.
550B	Input (E Clutch) (6R75).....	1	07-08	95550E	BL3Z-7F207B
550B	Input (E Clutch) (3 Rings, Large Diameter Shaft) (6R80).....	1	09-Up	95550EA	9L3Z-7F207A
550B	Input (E Clutch) (3 Rings, Small Diameter Shaft) (ZF6HP26).....	1	02-Up	95550Z	N.L.
554A	Forward (A Clutch) (4 Clutch) (6R60, ZF6HP26).....	1	02-Up	95554	N.L.
554A	Forward (A Clutch) (5 Clutch) (6R75, 6R80).....	1	06-Up	95554A	N.L.
555C	Direct (B Clutch).....	1	02-Up	95555B	6L2Z7F238AF
555C	Direct (B Clutch).....	1	06-Up	95555E	6L2Z-7F283A
570G	Hub, Overdrive w/ Shaft (Stamped) (6R60, ZF6HP26).....	1	02-Up	95570	N.L.
570G	Hub, Overdrive w/ Shaft (Forged) (6R75, 6R80).....	1	09-Up	95570A	N.L.
570G	Hub, Intermediate (6R75).....	1	07-08	95570E	7L1Z-7F351B
570G	Hub, Intermediate (6R75, 6R80).....	1	09-Up	95570EA	AL3Z-7F351A
574G	Hub Forward w/ Shaft (A Clutch) (6R60).....	1	06-Up	95574	N.L.
574G	Hub Forward w/ Shaft (A Clutch) (6R75, 6R80).....	1	06-Up	95574A	6L2Z-7B067A
574G	Hub Forward w/ Shaft (A Clutch) (ZF6HP26).....	1	02-Up	95574Z	N.L.
574G	Hub Forward w/ Shaft (A Clutch) (6R80).....	1	11-Up	95574E	AL3Z-7B067A
575G	Hub, Direct (All).....	1	02-Up	95575	N.L.
575	Hub, 6R75/80, Dir.....	1	09-Up	95575E	AL3Z-7F236A
PLANETS					
582F	Front (3 Gear) (6R60) (Use w/ 95954).....	1	06-Up	95582	N.L.
582F	Front (4 Gear) (6R75) (Cast Carrier) (Use w/ 95954A).....	1	06-Up	95582A	N.L.
582F	Front (4 Gear) (6R80) (Stamped Carrier) (Use w/ 95954B).....	1	09-Up	95582E	N.L.
582F	Front (4 Gear) (ZF6HP26).....	1	02-Up	95582Z	N.L.
582F	Planet Kit, Front (6R80) (Incl Planet, SG, Bearing, Washer).....	1	09-Up	95582EK	BL3Z-7A398A
584I	Planet Kit, Rear (6R60, 6R75, 6R80).....	1	06-10	95584	6L2Z-7D006AA
584I	Rear (4 Clutch) (6R60).....	1	06-Up	95584	N.L.
584I	Rear (4 Clutch) (ZF6HP26).....	1	02-Up	95584Z	N.L.
584I	Rear (5 Clutch) (6R80) (Diode Style Sprag).....	1	11-Up	95584E	BL3Z-7D006A
584I	Rear (6 Clutch) (6R75).....	1	06-Up	95584A	N.L.
594	Ring Gear, Rear (6R60, 6R75, 6R80).....	1	06-Up	95594E	BL3Z-7A153A
SUN GEARS, SHELLS & SUPPORTS					
611I	Sun Gear, Rear Planet (Front Position) (1.562" No Groove) (6R60, 6R75).....	1	06-Up	95611	N.L.
611I	Sun Gear, Rear Planet (Front Position) (1.592" 1 Groove) (6R60, 6R75).....	1	06-Up	95611E	6L2Z-7D063CA
611I	Sun Gear, Rear Planet (Front Position) (1 Groove) (6R80).....	1	08-Up	95611A	N.L.
612F	Sun Gear, Front Planet (6R60, 6R75, 6R80).....	1	06-10	95612	6L2Z-7D063DA
612F	Sun Gear, Front Planet (6R80).....	1	11-Up	95612EA	9L3Z-7D063E
612F	Sun Gear, Front Planet (ZF6HP26).....	1	02-Up	95612Z	N.L.
614I	Sun Gear, Rear Planet (Rear Position) (31T, 1.590" Thick).....	1	06-E07	95614	N.L.
614I	Sun Gear, Rear Planet (Rear Position) (31T, 1.560" Thick).....	1	L07-Up	95614A	N.L.
630D	Center Support (w/ Check Ball & No Air Bleed) (Cast 8L) (6R60).....	1	06-Up	95630	N.L.
630D	Center Support (w/ Check Ball & Air Bleed) (Cast 6L) (6R75, 6R80).....	1	06-Up	95630A	N.L.
630D	Center Support (6R80) (Diode Style Sprag).....	1	11-Up	95630E	BL3Z-7A130A
630D	Center Support (w/ Check Ball & Air Bleed) (Cast 6L) (6R75, 6R80).....	1	02-Up	95630Z	N.L.
ONE WAY CLUTCHES					
654	Sprag, Low/ Reverse (Diode Style Sprag).....	1	11-Up	95654E	BL3Z-7A089J

6R60, 6R75, 6R80, ZF6HP26

ILL.		QTY.	YEAR	PART No.	REF. No.
SHAFTS					
678I	Output Shaft (2wd) (7-7/8" Long) (6R60, 6R75)	1	06-Up	95678	N.L.
678I	Output Shaft (2wd) (6R75)	1	06-08	95678E	6L2Z-7060A
678I	Output Shaft (2wd) (6R80)	1	09-Up	95678EB	9L3Z-7060D
678I	Output Shaft (2wd) (7-7/8" Long) (ZF6HP26)	1	06-Up	95678Z	N.L.
678I	Output Shaft (4wd) (5-7/16" Long) (6R60, 6R75)	1	06-Up	95678A	N.L.
678I	Output Shaft (4wd) (6R75)	1	06-08	95678EA	6L2Z-7060B
678I	Output Shaft (4wd) (6R80)	1	09-Up	95678EC	9L3Z-7060C
VALVE BODIES					
740J	Valve Body (Premium) (6R60)	1	06-Up	95740-1	N.L.
740J	Valve Body (Premium) (6R75)	1	06-Up	95740-2	N.L.
740J	Valve Body (Premium) (6R80)	1	09-Up	95740-3	N.L.
740J	Valve Body (Premium) (ZF6HP26)	1	02-10	95740-4	N.L.
740J	Valve Body (6HP26) (Order by Stamping xxxx-xxx-xxx)	1	02-Up	95740XXX	N.L.
740J	Valve Body (6HP26X) (Order by Stamping xxxx-xxx-xxx)	1	02-Up	95740XXX	N.L.
740J	Valve Body (6HP28) (Order by Stamping xxxx-xxx-xxx)	1	04-Up	95740XXX	N.L.
747	Separator Plate, Gen 1, Codes: A035, B035 (6HP26) (Sonnax)	1	06-Up	S95320	95740-035
747	Separator Plate, Gen 1, Codes: A046, B046 (6HP26) (Sonnax)	1	06-Up	S95320AA	95740-046
747	Separator Plate, Gen 1, Codes: A047, B047 (6HP26) (Sonnax)	1	06-Up	S95320A	95740-047
747	Separator Plate, Gen 1, Codes: A036, A051, B036, B051 (6HP26) (Sonnax)	1	06-Up	S95320B	95740-051
747	Separator Plate, Gen 1, Codes: A052, B052 (6HP26) (Sonnax)	1	06-Up	S95320C	95740-052
747	Separator Plate, Gen 1, Codes: A053, B053 (6HP26) (Sonnax)	1	06-Up	S95320E	95740-053
747	Separator Plate, Gen 2, Codes: A063, B063 (6HP28) (Sonnax)	1	06-Up	S95320G	95740-063
747	Separator Plate, Gen 2, Codes: A065, B065 (6HP28) (Sonnax)	1	06-Up	S95320H	95740-065
CASES & HOUSINGS					
760E	Case (2wd) (6R60, 6R75) (5.4L Navigator)	1	06-08	95760A	6L2Z-7005H
760E	Case (2wd) (6R60, 6R75) (Exc 5.4L Navigator)	1	06-Up	95760	N.L.
760E	Case (2wd) (6R75, 6R80)	1	07-08	95760B	7L1Z-7005C
760E	Case (2wd) (6R75, 6R80)	1	11-12	95760E	BL3Z-7005K
760E	Case (2wd) (6R80) (6.2L)	1	09-10	95760E	N.L.
760E	Case (2wd) (6R80) (3.7L Mustang)	1	11-13	95760ED	BL3Z-7005H
760E	Case (2wd) (6R80) (3.5L)	1	11-12	95760EB	BL3Z-7005J
760E	Case (4wd) (6R60, 6R75)	1	06-08	95760AA	N.L.
760E	Case (4wd) (6R75, 6R80)	1	09-10	95760CA	9L3Z-7005A
760E	Case (4wd) (6R75, 6R80) (6.2L)	1	11-12	95760EA	BL3Z-7005C
760E	Case (4wd) (6R80) (3.5L)	1	11-12	95760EC	BL3Z-7005A
765J	Pan (ZF6HP26) (Integral w/ Filter)	1	02-Up	95010	0501216243
765J	Pan (6R60, 6R75, 6R80)	1	06-10	95765A	9L3Z-7A194A
765J	Pan (4wd Metal) (6R60, 6R75)	1	06-Up	95765	N.L.
765J	Pan (4wd Metal) (6R80)	1	09-Up	95765E	N.L.
770	Extension Housing (4wd) (6R60, 6R75)	1	06-Up	95770	N.L.
770	Extension Housing (4wd) (6R80)	1	09-Up	95770E	N.L.
SNAP RINGS					
861	Snap Ring, Overdrive (1.70mm) (6R75)	1	07-08	95861E	6L2Z-7D483M
861	Snap Ring, Overdrive (1.90mm) (6R75)	1	07-08	95861EA	6L2Z-7D483N
861	Snap Ring, Overdrive (2.10mm) (6R75)	1	07-08	95861EB	6L2Z-7D483P
861	Snap Ring, Overdrive (2.30mm) (6R75)	1	07-08	95861EC	6L2Z-7D483Q
861	Snap Ring, Overdrive (2.50mm) (6R75)	1	07-08	95861ED	6L2Z-7D483R
861	Snap Ring, Overdrive (2.70mm) (6R75)	1	07-08	95861EE	6L2Z-7D483S
862	Snap Ring, Overdrive Piston (6R60, 6R75, 6R80)	1	06-Up	95862E	6L2Z-7C122C
875	Snap Ring (6R80)	1	09-Up	95875EA	6L2Z-7D483V
875	Snap Ring, Direct Pressure Plate (6R75, 6R80)	1	07-Up	95875E	7L2Z-7C122A
876	Snap Ring, Interm/Forward (3.1mm) (6R60, 6R75, 6R80)	1	06-Up	95876E	6L2Z-7D483CA
876	Snap Ring, Interm/Forward (3.3mm) (6R60, 6R75, 6R80)	1	06-Up	95876EA	6L2Z-7D483DA
876	Snap Ring, Interm/Forward (3.5mm) (6R60, 6R75, 6R80)	1	06-Up	95876EB	6L2Z-7D483EA
876	Snap Ring, Interm/Forward (3.7mm) (6R60, 6R75, 6R80)	1	06-Up	95876EC	6L2Z-7D483FA
876	Snap Ring, Interm/Forward (3.9mm) (6R60, 6R75, 6R80)	1	06-Up	95876ED	6L2Z-7D483GA
876	Snap Ring, Interm/Forward (4.1mm) (6R60, 6R75, 6R80)	1	06-Up	95876EE	6L2Z-7D483HA
878	Snap Ring, Intermediate (2.9mm) (6R80)	1	09-Up	95878E	6L2Z-7D483BA
879	Snap Ring, Direct Piston (6R60, 6R75, 6R80)	1	06-Up	95879E	6L2Z-7A577A
889	Snap Ring, Output (6R80)	1	09-Up	95889EA	AL3Z-7C122A

6R60, 6R75, 6R80, ZF6HP26

ILL.		QTY.	YEAR	PART No.	REF. No.
MISCELLANEOUS COMPONENTS					
697	Bridge Seal, Oil Distributor Sleeve.....	1	02-Up	95697	AL3Z-7F401A
699	Lube Dam (3 Gear Planet).....	1	02-Up	95699	N.L.
699	Lube Dam (4 Gear Planet).....	1	07-Up	95699A	N.L.
741	End Plug Kit w/ O-Ring (Sonnax).....	1	06-Up	S95741A-6	95740-19K
741	End Plug Kit w/ O-Ring (Internal) (Sonnax).....	1	06-Up	S95741BA-6	95740-25K
741	End Plug Kit w/ O-Ring (Superior).....	1	06-Up	A95741A-6	K095
841	Yoke, 2wd (6R80).....	1	09-Up	95841EA	9L3Z-7089D
960	Piston, Overdrive (6R60, 6R75, 6R80).....	1	06-Up	95960E	7L1Z-7A262A
962D	Piston, Intermediate (C Clutch) (4 Clutch Type) (6R60).....	1	06-Up	95962	N.L.
962D	Piston, Intermediate (C Clutch) (5 Clutch Type) (6R80).....	1	07-Up	95962A	7L1Z-7E005A
964A	Piston, Forward (A clutch) (6R60, 6R75).....	1	06-11	95964	7L1Z-7A262A
964A	Piston, Forward (A clutch) (6R80).....	1	09-Up	95964A	N.L.
964A	Piston, Forward (A clutch) (6R75).....	1	07-08	95964E	9L3Z7A262C
964A	Piston, Forward (A clutch) (6R75, 6R80).....	1	07-Up	95964EA	9L3Z-7A262A
965C	Piston, Direct (inner) (6R75, 6R80).....	1	07-08	95965E	6L2Z-7H359AA
965C	Piston, Direct (Outer) (6R75, 6R80).....	1	07-08	95965EA	7L1Z-7A262C
967D	Piston, Low/ Reverse (D Clutch) (.860" Thick) (6R60).....	1	06-08	95967	6L2Z-7E085A
967D	Piston, Low/ Reverse (D Clutch) (.625" Thick) (6R75).....	1	07-08	95967EA	7L1Z-7A262B
967D	Piston, Low/ Reverse (D Clutch) (6R80) (Diode Style Sprag).....	1	11-Up	95967EB	BL3Z-7A262A
970B	Belleville Spring, Overdrive (E Clutch).....	1	02-Up	95970	N.L.
970B	Belleville Spring, Overdrive (E Clutch).....	1	06-Up	95970E	6L2Z-7B070AA
972D	Belleville Spring, Intermediate (C Clutch).....	1	02-Up	95972	N.L.
972D	Belleville Spring, Intermediate (C Clutch).....	1	06-Up	95972E	6L2Z-7A480C
974A	Belleville Spring, Forward (A Clutch).....	1	06-Up	95974	6L2Z-7A480AA
975C	Belleville Spring, Direct (B Clutch) (6R60, 6R75).....	1	02-Up	95975	N.L.
975C	Belleville Spring, Direct (B Clutch) (6R80).....	1	09-Up	95975EA	9L3Z-7B488A
975C	Belleville Spring, Direct (B Clutch) (6R75).....	1	07-08	95975E	6L2Z-7B488AA
984A	Retainer, Forward (Balance Piston) (33T) (6R75) (Use w/ 95582).....	1	05-Up	95984	N.L.
984A	Retainer, Forward (Balance Piston) (36T) (6R75) (Use w/ 95582A).....	1	08-Up	95984A	N.L.
984A	Retainer, Forward (Balance Piston) (24T) (6R75) (Use w/ 95582E).....	1	07-08	95984E	9L1Z-7H360A
977D	Belleville Spring, Low/ Reverse (D Clutch) (6R60).....	1	02-Up	95977	N.L.
977D	Belleville Spring, Low/ Reverse (D Clutch) (6R80) (Diode Style Sprag).....	1	11-Up	95977E	BL3Z-7A070A
980	Balance Piston, Overdrive (6R60, 6R75, 6R80).....	1	09-Up	95980E	6L2Z-7H360BA
984A	Retainer, Forward (Balance Piston) (6R80).....	1	09-Up	95984EA	9L3Z-7H360B
987	Retainer, Low/ Reverse (6R80) (Diode Style Sprag).....	1	11-Up	95987E	BL3Z-7A122A
VOL. SONNAX PRODUCTS					
Vol 9	Bushing, Stator (Rear) (Sonnax).....	N.I.	N.I.	S95037	95030-02T
Vol 9	Bypass Clutch Control Valve Kit O.S. (T-F-95740-TL13 & T-VB-FIX req).....	N.I.	3	S95741D-1K	95740-13K
Vol 9	Clutch A Control Valve Kit O.S. (T-F-95740-TL8 & T-VB-FIX req).....	N.I.	8	S95741L-1K	95740-09K
Vol 9	Clutch D1 or E Control Valve Kit O.S. (T-F-95740-TL8 & T-VB-FIX req).....	N.I.	7	S95741G-1K	95740-08K
Vol 9	Converter Release Regulator Valve Kit O.S. (T-F-95740-TL5, T-VB-FIX req).....	N.I.	1	S95741C-1K	95740-05K
Vol 9	End Plug Kit w/ O-Ring (Internal).....	N.I.	12	S95741BA-6	95740-25K
Vol 9	End Plug Kit w/ O-Ring (Sonnax).....	N.I.	11	S95741A-6	95740-19K
Vol 9	Piston & Spring Kit, Valve Body Accumulator.....	N.I.	10	S95741E	95740-15K
Vol 9	Separator Plate, Gen 1, Codes: A035, B035 (6HP26).....	N.I.	N.I.	S95320	95740-035
Vol 9	Separator Plate, Gen 1, Codes: A046, B046 (6HP26).....	N.I.	N.I.	S95320AA	95740-046
Vol 9	Separator Plate, Gen 1, Codes: A047, B047 (6HP26).....	N.I.	N.I.	S95320A	95740-047
Vol 9	Separator Plate, Gen 1, Codes: A036, A051, B036, B051 (6HP26).....	N.I.	N.I.	S95320B	95740-051
Vol 9	Separator Plate, Gen 1, Codes: A052, B052 (6HP26).....	N.I.	N.I.	S95320C	95740-052
Vol 9	Separator Plate, Gen 1, Codes: A053, B053 (6HP26).....	N.I.	N.I.	S95320E	95740-053
Vol 9	Separator Plate, Gen 2, Codes: A063, B063 (6HP28).....	N.I.	N.I.	S95320G	95740-063
Vol 9	Separator Plate, Gen 2, Codes: A065, B065 (6HP28).....	N.I.	N.I.	S95320H	95740-065
Vol 9	Sleeve, Pressure.....	N.I.	4	S95741PA-2	95740-03
Vol 9	Valve & Sleeve Boost Clutch "A".....	N.I.	9	S95741F-1	95740-21K
Vol 9	Valve Kit, Lube Cont O.S. (T-F-95740-TL11 & T-VB-FIX req).....	N.I.	2	S95741H-1	95740-11K
Vol 9	Valve Kit, Pressure O.S. (T-F-95740-TL & T-VB-FIX req).....	N.I.	5	S95741P-1	95740-01K
Vol 9	Valve Kit, Solenoid Pressure O.S. (T-F-95740-TL17 & T-VB-FIX req).....	N.I.	6	S95741PH-1	95740-17K
Vol 9	Zip Kit (6R60, ZF6HP26) (Also Fits ZF6HP19, ZF6HP32).....	N.I.	N.I.	S95741ZK	ZF6-6R60-ZIP